

INSTALLATION INSTRUCTIONS

PART#PW034739

REAR HITCH FOR TOYOTA HIACE 07+ (FOR NARROW BODY)

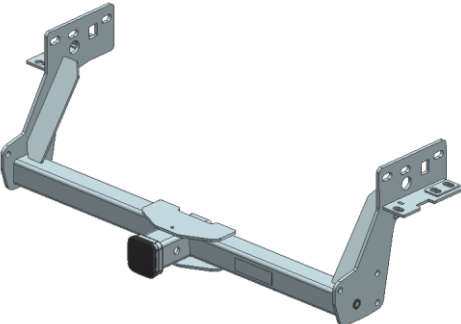

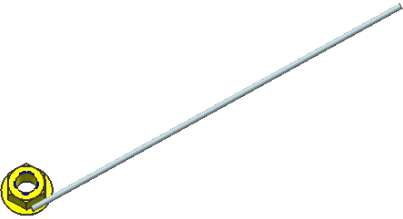
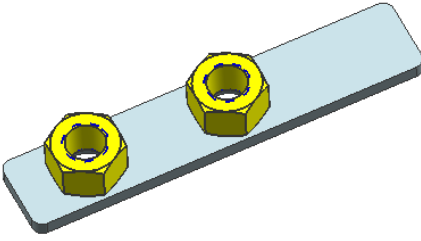
Before Installation

- Please read the instruction completely for easy installation, which will also help you to avoid scratches or other potential damages to your appealing car.
- The figures here are for reference only and may have differences with the actual product you received, however they share the same assembly way.

Care and Cleaning

- Mild soap may be used also to clean the Product.
- Please periodically check and retighten all the hardware and clean the investment for a refresh look.

Parts list

NO.	QTY	PIC	NO.	QTY	PIC
①	1	 Rear hitch	②	2	 Screw Tube($\Phi 16^* \delta 1.5^*70$)
③	2	 Alien Nut M12	④	2	 Nut Plate M12

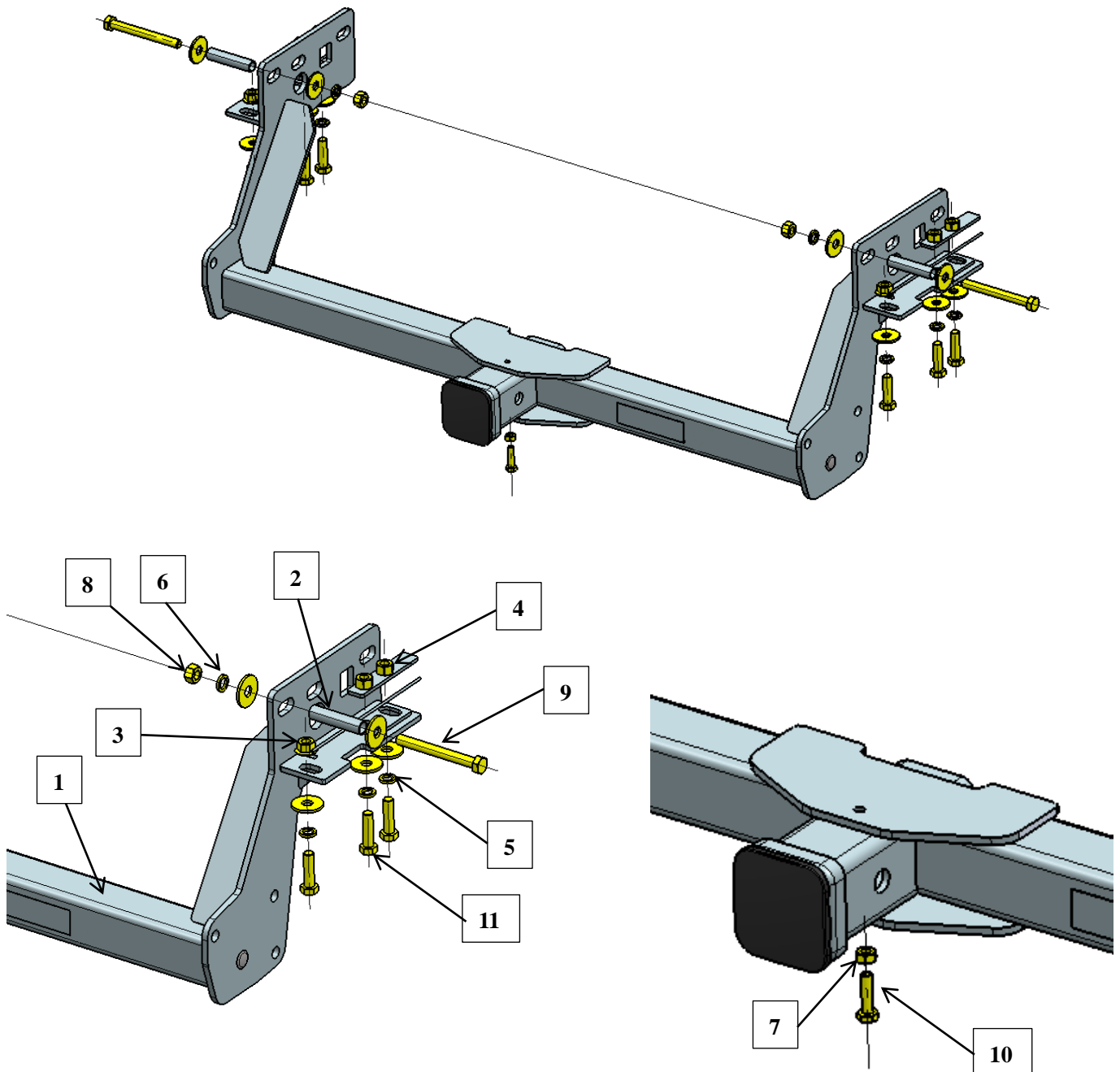
Fitting parts list:

INSTALLATION INSTRUCTIONS

NO.	QTY	PIC	NO.	QTY	PIC
⑤	Lock Washer D12	8	⑥	Large Flat Washer D12 (12x37x3mm)	10
⑦	Hex Nuts M8	1	⑧	Hex Nuts M12	2
⑩	Hex Head Bolts (Half-Thread) M12_110_80	2	⑩	Hex Head Bolts (Full Thread) M8_30	1
⑪	Hex Head Bolts (Full Thread) M12_40	6			

Installation Steps

INSTALLING PICTURE

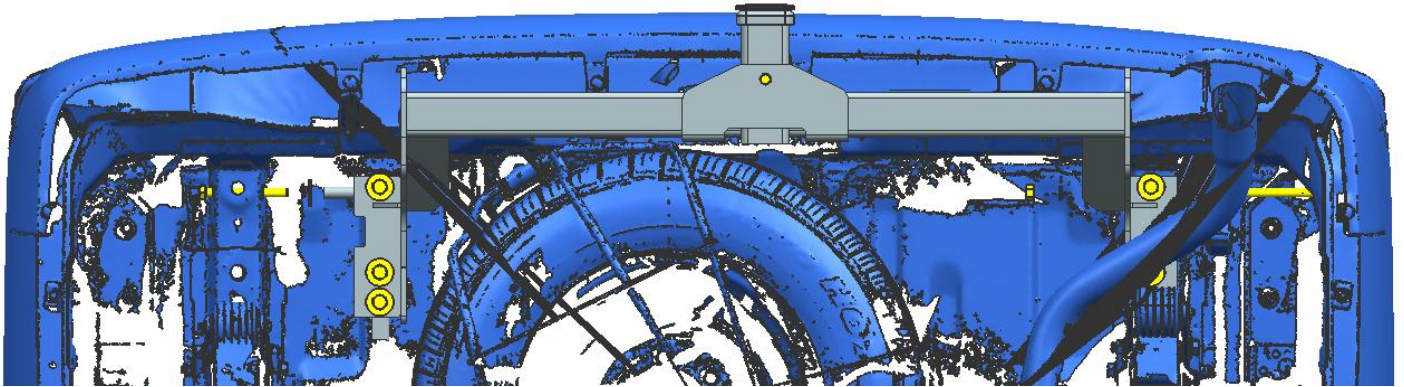


INSTALLATION INSTRUCTIONS

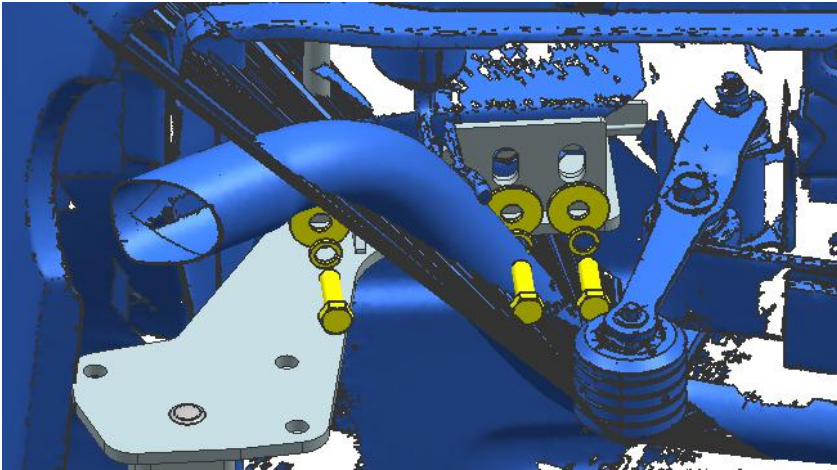
PROCEDURE:

Step 1: Check all the contents are available in accordance with the above list.

Step 2: Install the rear hitch mounted with the socket bracket to the car, but not tighten the screws yet (Pic1& Pic2).

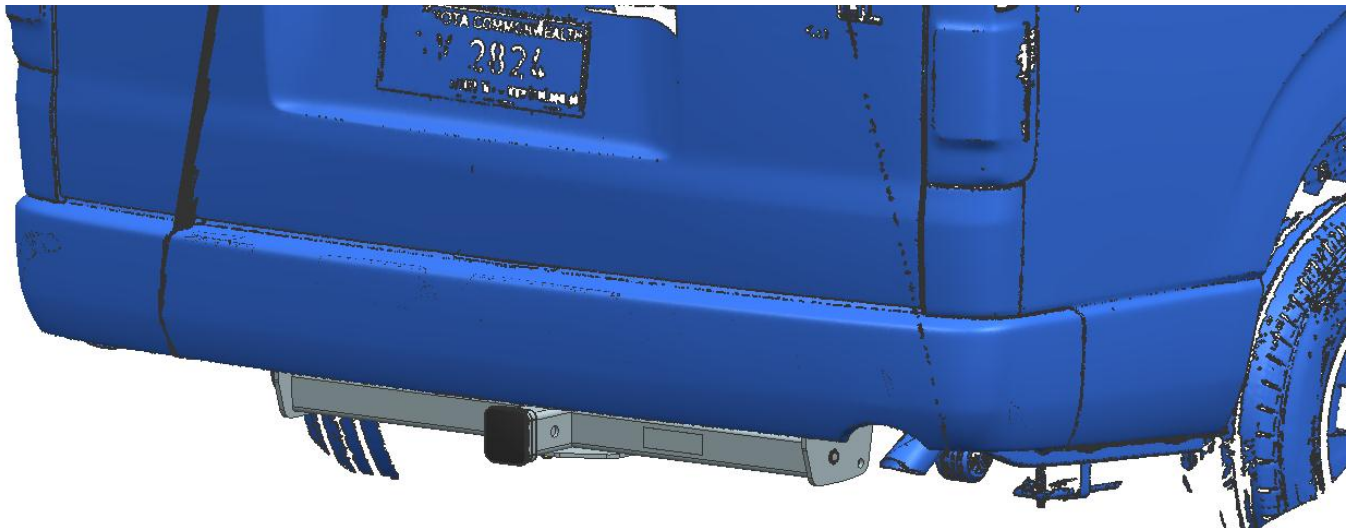


Pic1.



Pic2.

Step 3: After checking for proper clearance, fully tighten all hardware (Pic3).



Pic3.

Any damages and losses caused by improper installation and application, goes beyond our quality warranty.